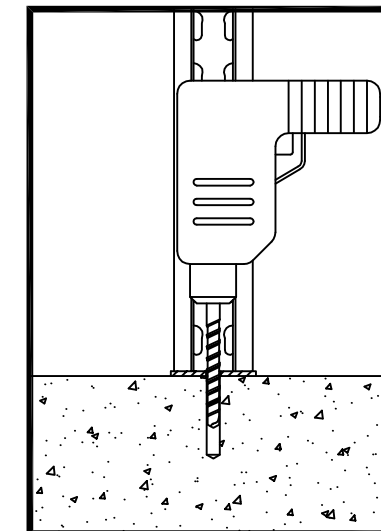
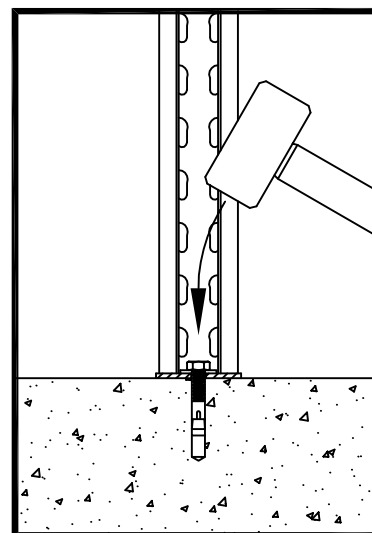


NOTE: ANCHORING IS THE LAST STEP OF THE INSTALLATION PROCESS.

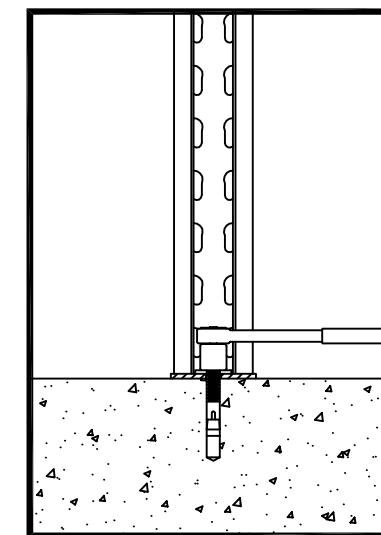
- 1) BEFORE INSTALLATION MEASURE AND CHALK ROW LOCATIONS ONTO FLOOR. NOTE: COVERING CHALK LINES WITH SPRAY VARNISH WILL INSURE AGAINST SMUDGES AND ERASING.



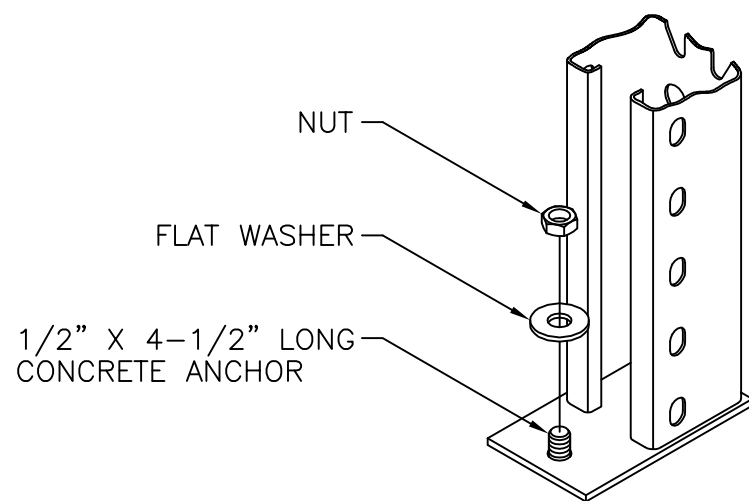
- 2) DRILL A 1/2" DIAMETER HOLE THROUGH FOOTPLATE AND INTO CONCRETE. THE HOLE SHOULD BE 1/2" DEEPER THAN THE LENGTH OF THE FLOOR ANCHOR.



- 3) USING A HAMMER TAP THE PREASSEMBLED ANCHOR THROUGH THE FOOTPLATE AND INTO THE HOLE. NOTE: PREASSEMBLE ANCHOR SO THE NUT IS SLIGHTLY ABOVE THREADS. THIS PREVENTS DAMAGE TO THREADS WHILE HAMMERING THE FLOOR ANCHOR INTO THE HOLE. THE ANCHOR SHOULD BE SEATED FIRMLY AGAINST THE FOOTPLATE.



- 4) TIGHTEN ANCHOR NUT.



TEILHABER MANUFACTURING CORPORATION

2360 INDUSTRIAL LANE • BROOMFIELD, COLORADO 80020 • (303)466-2323

THIS DRAWING AND/OR ITS CONTENTS, INFORMATION, AND PRINCIPALS OF DESIGN ARE THE EXCLUSIVE PROPERTY OF TEILHABER MANUFACTURING CORPORATION, AND IS SUBMITTED TO YOU WITH THE AGREEMENT THAT IT IS NOT TO BE REPRODUCED IN ANY MANNER, COPIED, OR MODIFIED; NOR IS IT TO BE RELAYED IN PART OR IN WHOLE TO ANY OTHER FIRM OR INDIVIDUAL FOR ANY OTHER PROJECT OR EXTENSION OF THIS PROJECT EXCEPT BY WRITTEN AGREEMENT WITH TEILHABER MANUFACTURING CORPORATION. ACCEPTANCE OF THIS DRAWING WILL BE CONSTRUED AS AN AGREEMENT TO THIS STATEMENT.

SCALE: 1/2"=1'	DISTRIBUTOR: GENERAL	DRAWING NO.	
DR. BY: RLB	NAME OF PROJECT: GENERAL	99-11434	
DATE: 11/15/99	PROJECT LOCATION: -	SHEET	B
	DESCRIPTION: PALLET RACK FLOOR ANCHOR DETAIL	1 OF 1	

NO.	DR. BY	REVISION	CH. BY	DATE